



# Specification Information

**Product Code:** 303-NL-BLK

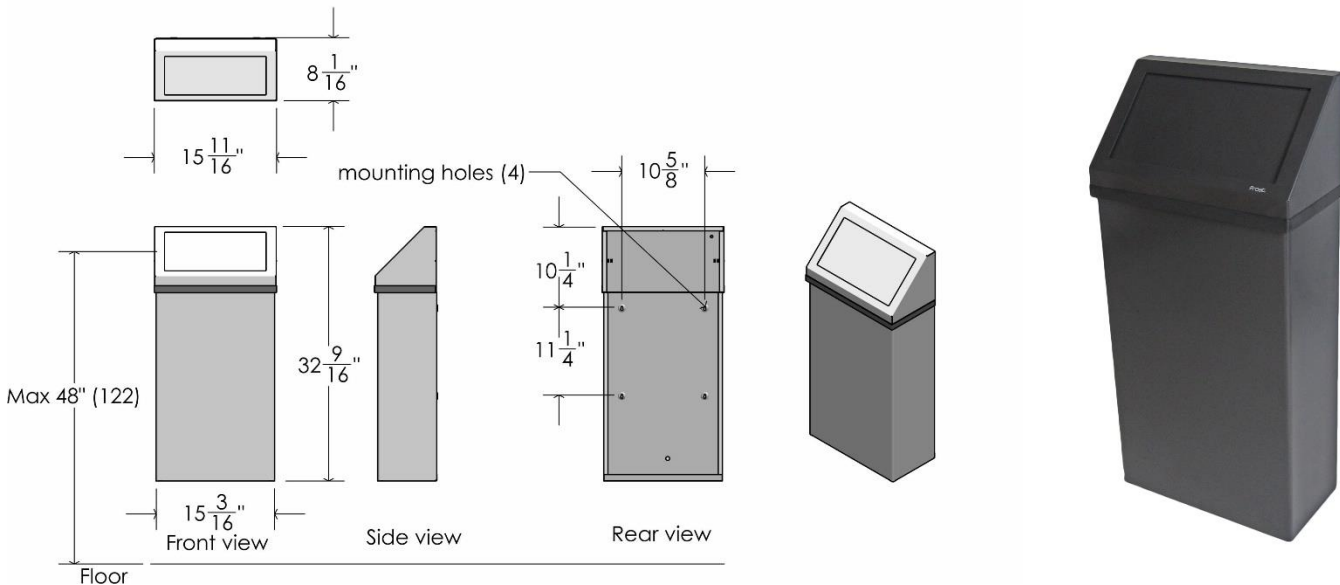
**Product Name:** Wall Mounted Waste Receptacle Matte Black

**Individual Carton UPC:** 624622303051

**Individual Carton Shipping Dimensions:** 21.0cm H x 64.7cm W x 41.9cm D (8.25" H x 25.5" W x 16.5" D)

**Individual Carton Shipping Weight:** 6.8 kg (19.0 lbs)

**Site Location:** Frost's 303-NL-BLK waste receptacles are industry standards and can be used in practically any application. Typically, the disposals are used in schools/universities, restaurants, malls, office buildings, condominiums, fitness facilities, and recreation centres. The product's all steel construction makes it a popular choice for areas requiring maximum fire protection and durability.



## Features:

- Wall mounted to conserve floor space
- Tight sealing lid and spring-loaded door promote oxygen starvation
- Comes with bag holder apparatus
- Easy to clean and maintain
- All welded construction of 22 gauge Canadian steel, lid is 20 gauge steel
- Recommended bag size: 66.0 cm x 91.4 cm (26" x 36")

## Capacity:

- The waste receptacle has a total capacity of 50 litres (13.2 US gal, 11 Imp. gal)

## Materials:

- Body: 22 gauge cold rolled steel, matte black finish
- Lid: 20 gauge cold rolled steel, matte black finish

## Product Dimensions:

- 82.8cm H x 39.9cm W x 20.6cm D (32.6" H x 15.7" W x 8.1" D)
- Height of waste receptacle without the lid is 62.9cm (24.75")

Frost Products Ltd

5276 John Lucas Drive  
Burlington, ON, Canada, L7L5Z9

(905) 332-5700  
1-800 667-5094

info@frostproductsltd.com  
www.frostproductsltd.com



## *Specification Information*

**Product Weight:**

- 8.2 kg (18 lbs)

**Maintenance:** When exchanging bags remove the lid of the waste receptacle and then pop the bag ring out of its secure bracket. Then tie off the garbage bag and remove. When replacing the bag please slide the bag within the ring and around the ring's edge with the bag draping over the ring by approximately 6". Then snap the ring back into its secure bracket. This will keep the bag properly hidden and secure. This ring is not supposed to be on the inside of the garbage bag, doing so may lead to accidentally throwing away the bag holder ring. Normal preventative maintenance and cleaning will keep Frost products functioning properly and may extend normal product life. Products should be wiped down with a damp soft cloth periodically. Approved stainless steel cleaner may be used to clean scuffs or fingerprints on stainless surfaces. Do not use harsh detergents or chemical cleaners. For general dirt and blemishes on painted steel or plastic use warm water and mild soap, or a general mild cleaning solution. When using any type of cleaning solution, spray onto a discrete area to test before full usage. After the cleaning agent is applied, wipe off with a clean soft cloth or sponge.

**Warranty:** If any product or part proves to be defective within 12 months from date of shipment from the factory it will be repaired or replaced without any charge including freight costs when authorized. Costs resulting from the installation or removal of defective products are not covered under this warranty. Discolouration to stainless steel parts resulting from exposure to harsh environmental and / or chemicals are not considered to be defects in workmanship or material and are not covered under warranty.