



Specification Information

Product Code: 2021

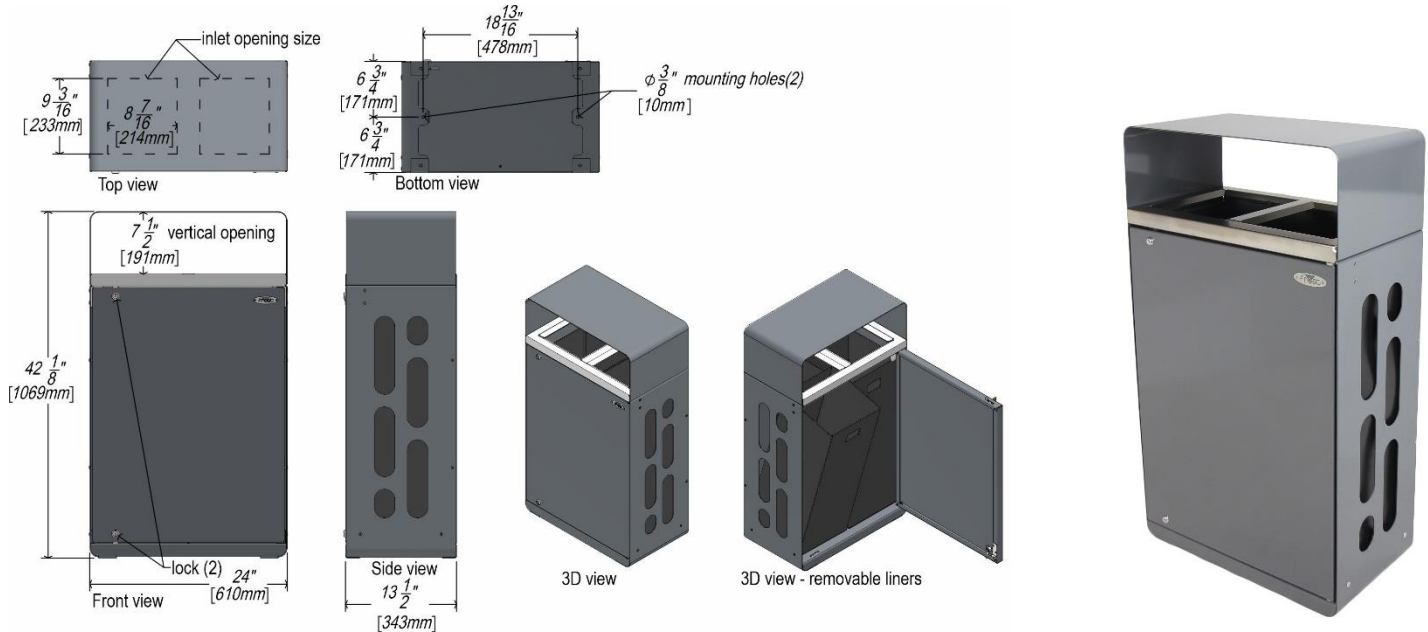
Product Name: Indoor/Outdoor Waste & Recycling Receptacle

Individual Carton UPC: 624622202101

Individual Carton Shipping Dimensions: 60.1cm W x 111.8cm H x 35.6cm D (24" W x 44" H x 14" D)

Individual Carton Shipping Weight: 44 kg (97 lbs)

Site Location: Frost 2021 indoor/outdoor waste and recycling receptacles are made of heavy-duty Canadian steel with two roto-moulded polyethylene liners. These are most commonly used at schools/universities, hotels, sports complexes, retail centers, airports, condominiums, and office buildings.



Features:

- Unique and modern architectural appearance
- Tested to survive harsh climates
- Canadian made with heavy duty steel
- Ergonomic swing door opening
- Covered opening with divided waste inlets and separate liners (2)
- Easy to install with anchorable feet
- Optional labels for: Glass, Plastic, Cans, Trash, Cans/Plastic, Glass/Plastic, White Paper Only, Glass/Cans/Plastic, Paper, Trash/Organic, and Organic labels
- Labels come in English, French, and Spanish

Characteristics: The 2021 incorporates side openings in the front and back for easy access to the waste slots. There's a double locking door to reduce unwanted access to the interior. The unit can be installed in exterior and interior locations. Anchor bolts can be used to secure the receptacle to the ground, reducing the chance of vandalism or theft. The 304 brushed stainless steel waste inlet can be easily cleaned, and discourages large items or bags from being placed inside. Optional labels in English, French, and Spanish can be applied at the user's discretion. Waste opening cover dimensions: 23.8" W x 7.5" H (individual inlet openings are 8.4" W x 9.1" D).

Frost Products Ltd

5276 John Lucas Drive
Burlington, ON, Canada, L7L5Z9

(905) 332-5700
1-800 667-5094

info@frostproductsltd.com
www.frostproductsltd.com



Specification Information

Capacity:

- Each liner has a capacity of 67 litres (17.7 US gal., 14.7 Imp gal.)
- Total capacity of 134 litres (35.4 US gal., 29.5 Imp gal.)

Materials:

- Waste Inlets: 18 gauge type 304 stainless steel, brushed finish
- Body and Door: 12 and 18 gauge steel
- Frost uses Super Durable TGCI-Free Powder Coat paint on all their site furnishings products. This type of powder coating is designed for superior weatherability compared to standard TGIC polyester powder coatings. This type of paint is designed to meet the AAMA (American Architectural Manufacturers Association) standard 2603. It provides excellent exterior color and gloss retention, superior over bake resistance, and good chemical resistance. The paint is designed to withstand 1500 hours of salt spray testing and 1 year of outdoor exposure in extreme conditions.
- Body is RAL Grey 7012
- Rotationally moulded heavy duty plastic liners, black

Product Dimensions:

- 61.0cm L x 106.9cm H x 34.3cm D (24”L x 42.1”H x 13.5”D)

Product Weight:

- 43.5 kg (96lbs)

Installation: The waste receptacle can be free standing or mounted into the ground with anchors (not included). The anchor holes are located in the feet at the bottom of the unit. Mounting hole dimensions: 0.375" for the two mounting holes.

Maintenance:

Normal preventative maintenance and cleaning will keep Frost products functioning properly and may extend normal product life. Products should be wiped down with a damp soft cloth periodically. Approved stainless steel cleaner may be used to clean scuffs or fingerprints on stainless surfaces. Do not use harsh detergents or chemical cleaners. For general dirt and blemishes on painted steel or plastic use warm water and mild soap, or a general mild cleaning solution. When using any type of cleaning solution, spray onto a discrete area to test before full usage. After the cleaning agent is applied, wipe off with a clean soft cloth or sponge.

Warranty:

If any product or part proves to be defective within 12 months from date of shipment from the factory it will be repaired or replaced without any charge including freight costs when authorized. Costs resulting from the installation or removal of defective products are not covered under this warranty. Discolouration to stainless steel parts resulting from exposure to harsh environmental and / or chemicals are not considered to be defects in workmanship or material and are not covered under warranty.