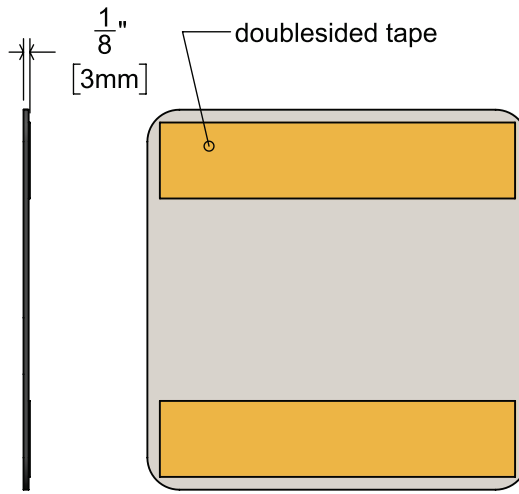




Front view



Side view

Back view



3D view
Code 966