



Specification Information

Product Code: 618-RF

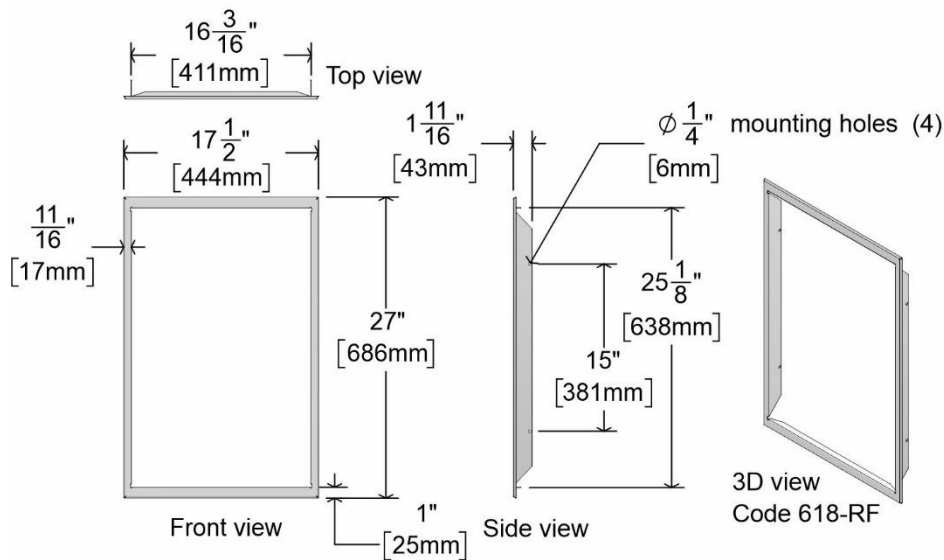
Product Name: Recessed Frame for 618 Model Feminine Hygiene Dispensers

Individual Carton UPC: 624622618001

Individual Carton Shipping Dimensions: 48.6cm L x 69.6cm W 6.4cm H (19.1" L x 27.4" W x 2.5" H)

Individual Carton Shipping Weight: 1.0kg (2.2 lbs)

Site Location: Frost's 618-RF recessed frame is for use with models 618-1-FREE and 618-3-FREE feminine hygiene product dispensers. This frame will allow the user to recess the dispenser into their wall to fully adhere to ADA requirements. Typically, these products are used in schools, office buildings, recreational facilities, and other commercial properties. The user-friendly functionality and professional appearance of this unit make it a popular choice in areas that require recessed installations.



Features:

- Sturdy 22 gauge stainless steel construction
- Beveled edges
- Designed for ADA compliant recessed installations
- Easy to install
- Canadian made

Materials:

- All welded 22 gauge stainless steel
- Type 304 brushed finish

Product Dimensions:

- 44.4cm W x 68.6cm H 4.3cm D (17.5" W x 27" H x 1.7" D)

Product Weight:

- 0.5kg (1.2 lbs)

Frost Products Ltd
5276 John Lucas Drive
Burlington, ON, Canada, L7L5Z9

(905) 332-5700
1-800 667-5094

info@frostproductsltd.com
www.frostproductsltd.com



Specification Information

Installation Guidelines: For barrier free mounting ensure that the napkin slot does not exceed 48" (121.9 cm) above floor level. Please note that it is recommended that all installations be conducted by a qualified tradesperson. Failure to do so may result in serious injury or death. Please see below for more detailed installation instructions.

Maintenance: Normal preventative maintenance and cleaning will keep Frost products functioning properly and may extend normal product life. Products should be wiped down with a damp soft cloth periodically. Approved stainless steel cleaner may be used to clean scuffs or fingerprints on stainless surfaces. Do not use harsh detergents or chemical cleaners. For general dirt and blemishes on painted steel or plastic use warm water and mild soap, or a general mild cleaning solution. When using any type of cleaning solution, spray onto a discrete area to test before full usage. After the cleaning agent is applied, wipe off with a clean soft cloth or sponge. For stainless steel please do not spray with any product containing bleach, acids, or chlorides, which can be found in many cleaning products such as toilet bowl cleaners. Use of these cleaning solutions may cause discolouration and if used for prolonged periods of time they can eat away at points in the stainless steel. If discolouration occurs, the use of an approved stainless steel cleaner and a firmer scrub pad, such as a Scotch Brite Pad #7447, may remove the markings. Wipe away any debris from the area and gently rub with the pad. Then spray the area with a stainless steel cleaner/polish and rinse and dry. Always wipe with the grain direction for stainless steel products. If a cleaning agent has begun to eat away at the steel on a unit then the unit will likely need to be replaced. The stainless steel that Frost Products uses is of high quality and stainless steel is resistant to rust. However, discolouration that appears to be rust can be caused by cleaning solutions and soaps mentioned above. It is important to discontinue use of any cleaning agent or soap if discolouration begins to occur. Clean off the discolouration as quickly as possible to avoid any permanent damage to the unit. Maintenance staff should be taught how to recognize the signs that they are not using the appropriate cleaning products and how to correctly maintain stainless steel items.

Warranty: If any product or part proves to be defective within 12 months from date of shipment from the factory it will be repaired or replaced without any charge including freight costs when authorized. Costs resulting from the installation or removal of defective products are not covered under this warranty. Discolouration to stainless steel parts resulting from exposure to harsh environmental and / or chemicals are not considered to be defects in workmanship or material and are not covered under warranty.



Code 618-RF - recessed frame

Installation Guidelines

- We recommend installation by qualified trades persons. Installers must consult and comply with local building codes

