



# Specification Information

**Product Code:** 199-W

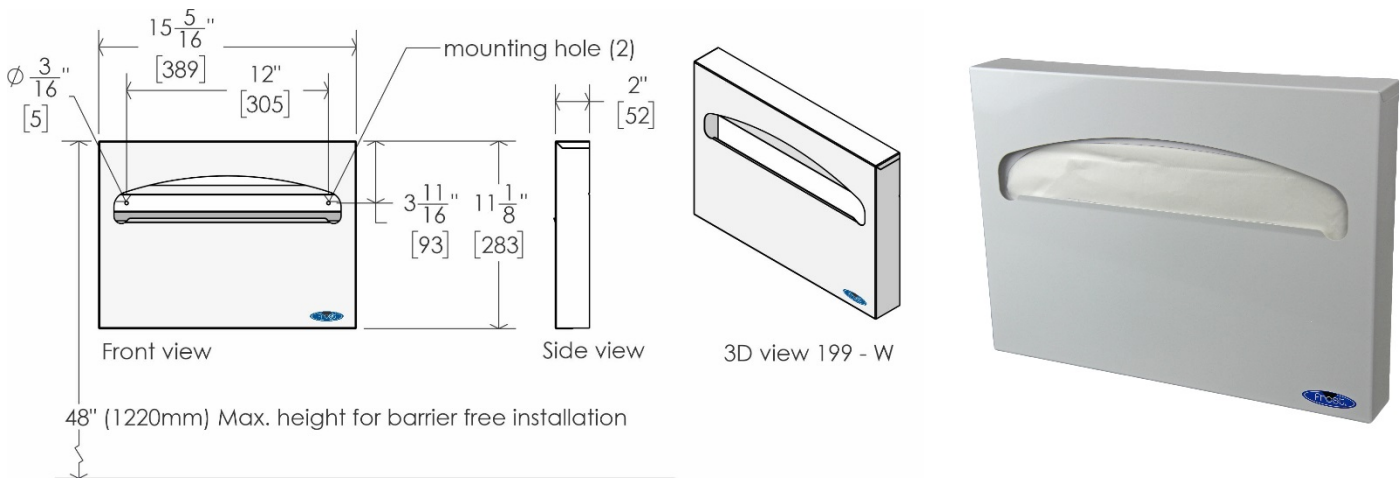
**Product Name:** Toilet Seat Cover Dispenser

**Individual Carton UPC:** 624622199807

**Individual Carton Shipping Dimensions:** 40.6cm W x 29.2cm H x 6.4cm D (16" W x 11½" H x 2½" D)

**Individual Carton Shipping Weight:** 1.4 kg (3 lbs)

**Site Location:** Frost's 199-W toilet seat cover dispenser is a durable and reliable product. This economical unit is available in two finishes to suit both institutional and commercial applications. Typically, the dispenser is used in schools/universities, restaurants, malls, office buildings, condominiums, fitness facilities, and recreation centres. The durable construction and ease of use of this product make it a popular choice.



## Features:

- Straightforward design makes this product user friendly and also reduces the risk of product malfunction
- Non-proprietary dispenser which can lead to cost savings for end users and property managers
- Easily accessible front loading
- Canadian made of high quality steel

**Dispensing:** This product dispenses toilet seat covers manually from the front of the unit. The dispenser is also universal; meaning, the unit is non-proprietary and dispenses paper from standard commercial paper producers. This allows the end user to avoid getting locked into paper supply contracts and should save them money on their janitorial supplies. To load this product, manually insert desired seat covers into the front of the unit.

## Capacity:

- Will accept all standard half fold toilet seat covers. Frost sells code 199-2500: half fold biodegradable seat covers, green seal. Packed 2,500 / case (10 sleeves of 250).

## Materials:

- All welded construction of 22 gauge cold rolled steel with white epoxy finish

## Product Dimensions:

- 38.9cm W x 28.2cm H x 5.1cm D (15.3" W x 11.1" H x 2" D)

Frost Products Ltd

5276 John Lucas Drive  
Burlington, ON, Canada, L7L5Z9

(905) 332-5700  
1-800 667-5094

info@frostproductsltd.com  
www.frostproductsltd.com



# Specification Information

**Product Weight:**

- 0.9 kg (2 lbs)

**Installation Guidelines:** For unrestricted access, bottom of the unit to floor must be between 38.1cm to 121.9cm (15" to 48"). This dispenser comes with two standard combination style screws. Mark mounting holes against the mounting surface using a pencil and level. Use a screwdriver or power drill to drill screws in the desired mounting surface and attach the dispenser. Please note that it is recommended that all installations be conducted by a qualified tradesperson. Please read and follow any additional installation guidelines provided with the products.

**Maintenance:** Normal preventative maintenance and cleaning will keep Frost products functioning properly and may extend normal product life. Products should be wiped down with a damp soft cloth periodically. Approved stainless steel cleaner may be used to clean scuffs or fingerprints on stainless surfaces. Do not use harsh detergents or chemical cleaners. For general dirt and blemishes on painted steel or plastic use warm water and mild soap, or a general mild cleaning solution. When using any type of cleaning solution, spray onto a discrete area to test before full usage. After the cleaning agent is applied, wipe off with a clean soft cloth or sponge.

**Warranty:** If any product or part proves to be defective within 12 months from date of shipment from the factory it will be repaired or replaced without any charge including freight costs when authorized. Costs resulting from the installation or removal of defective products are not covered under this warranty. Discolouration to stainless steel parts resulting from exposure to harsh environmental and / or chemicals are not considered to be defects in workmanship or material and are not covered under warranty.