



# Specification Information

**Product Code:** 1055-500

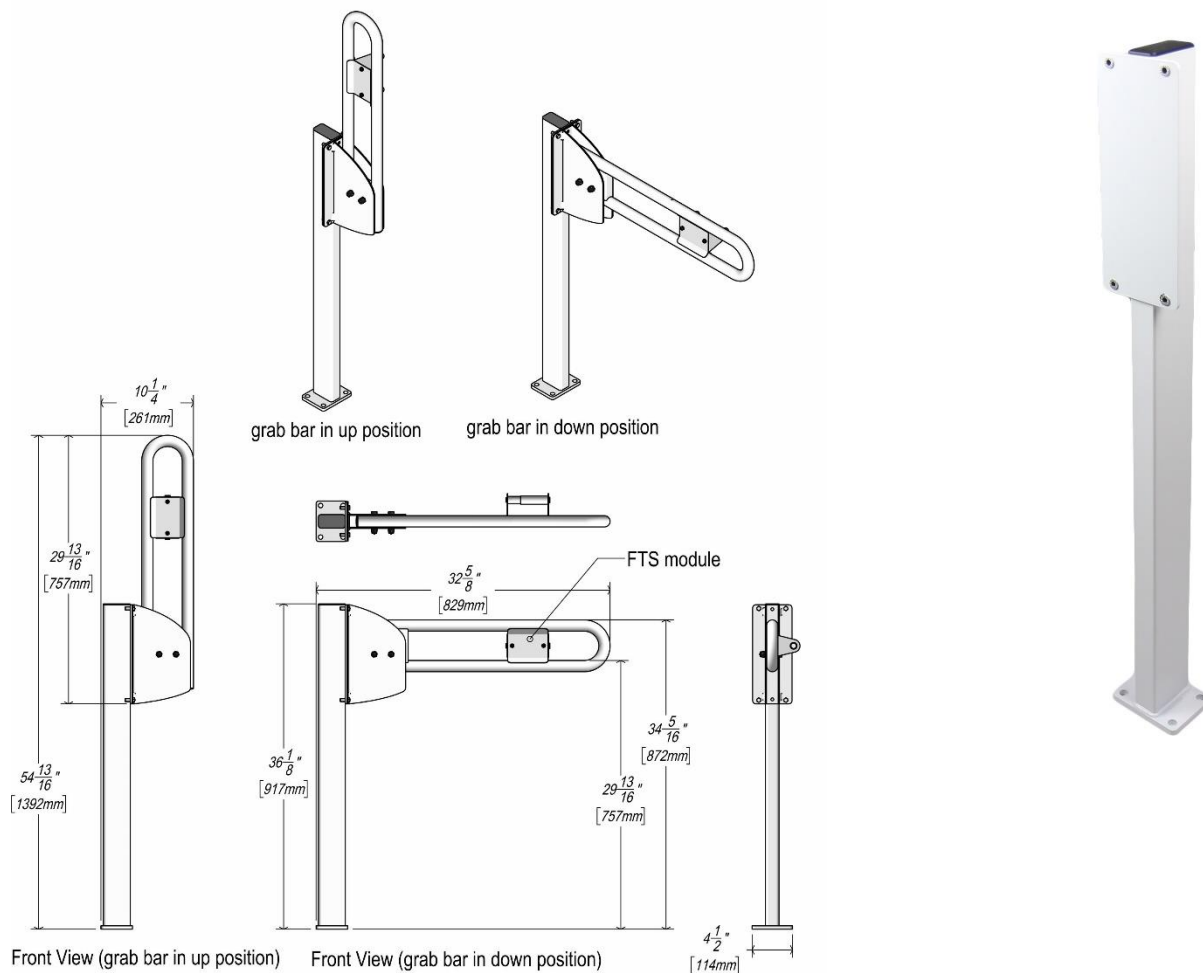
**Product Name:** Swing Up Grab Bar Carrier Stand

**Individual Carton UPC:** 624622105556

**Individual Carton Shipping Dimensions:** 37.25" L x 5" W x 3.5" H (94.6cm L x 12.7cm W x 8.9cm H)

**Individual Carton Shipping Weight:** 16 lbs (7.3 kg)

**Site Location:** Frost's 1055-500 swing up grab bar carrier stands are intended for use with the code 1055 series swing up grab bars to allow for floor mounting where adequate in wall backing is unavailable. highly recommended by barrier-free design experts because they provide the optimum approach path for wheelchair use. Typically, these units are used in schools/universities, nursing homes, airports, malls, office buildings, hospitals, recreation centres, and residential properties.



## Features:

- Allow swing up grab bars to be properly mounted when wall backing is unavailable
- Made from heavy duty cold rolled steel tubing
- Easy to attach swing up grab bar
- Can be locked into vertical or horizontal position
- All welded construction

Frost Products Ltd

5276 John Lucas Drive  
Burlington, ON, Canada, L7L5Z9

(905) 332-5700  
1-800 667-5094

info@frostproductsltd.com  
www.frostproductsltd.com



# Specification Information

## Materials:

- The carrier stand is 1-1/2" x 3" x 1/8" thick cold rolled steel tubing
- The floor mounting plate is 3/8" cold rolled steel plate
- Finish: white epoxy powder coated

## Product Dimensions:

- 3.5"L x 4.5"W x 36"H (8.9cm L x 11.4cm D x 91.4cm H)

## Product Weight:

- 15 lbs (6.8 kg)

**Installation Guidelines:** Secure to floor with appropriate anchoring system for floor material. Use floor plate as a template to locate mounting holes. Drill holes and set anchors as required. Anchor bolts should be 3/8" diameter, with a minimum pull out strength of 3,500 lbs. Medium duty sleeve anchors typically have a 5,300 lb. pullout rating and heavy duty wedge anchors can offer up to 5,900 lbs. Mount carrier stand to anchors and secure swing up grab bar to vertical support. We suggest installation by a qualified tradesman. Grab Bar Mounting: Requires four 1/4"-20 unc machine screws to secure Frost Code 1055 grab bar to vertical support. For regular mounting a minimum machine screw length of 7/8" is required. When mounting "in wall" the machine screw length will vary due to the thickness of wall materials and other decorative surfaces. The correct machine screw length should be determined by the contractor or designer of the installation. Mounting screws are not included. In wall Installation: Threaded inserts on vertical support allow for blind fastening of flip up grab bar during in wall installation. We recommend a spacer tube to be used for in wall drywall installation.

**Safety Warning:** All grab bars must be installed by qualified trades persons. Installers must consult and comply with local building codes. Mounting hardware and other systems to be determined by contractor and installer pending specific structure, design, and conditions. All installations must be fully inspected and approved by property owners and maintenance personnel prior to bar being put into use. Failure to comply to proper installation procedure will void warranty and may result in malfunctioning or injury.

**Maintenance:** Normal preventative maintenance and cleaning will keep Frost products functioning properly and may extend normal product life. Products should be wiped down with a damp soft cloth periodically. Approved stainless steel cleaner may be used to clean scuffs or fingerprints on stainless surfaces. Do not use harsh detergents or chemical cleaners. For stainless steel please do not spray with any product containing bleach, acids, or chlorides, which can be found in many cleaning products such as toilet bowl cleaners. Use of these cleaning solutions may cause discoloration and if used for prolonged periods of time they can eat away at points in the stainless steel. If discoloration occurs, the use of an approved stainless steel cleaner and a firmer scrub pad, such as a Scotch Brite Pad #7447, may remove the markings. Wipe away any debris from the area and gently rub with the pad. Then spray the area with a stainless steel cleaner/polish and rinse and dry. Always wipe with the grain direction for stainless steel products. If a cleaning agent has begun to eat away at the steel on a unit then the unit will likely need to be replaced. The stainless steel that Frost Products uses is of high quality and stainless steel is resistant to rust. However, discoloration that appears to be rust can be caused by cleaning solutions and soaps mentioned above. It is important to discontinue use of any cleaning agent or soap if discoloration begins to occur. Clean off the discoloration as quickly as possible to avoid any permanent damage to the unit. Maintenance staff should be taught how to recognize the signs that they are not using the appropriate cleaning products and how to correctly maintain stainless steel items.

Frost Products Ltd

5276 John Lucas Drive  
Burlington, ON, Canada, L7L5Z9

(905) 332-5700  
1-800 667-5094

info@frostproductsltd.com  
www.frostproductsltd.com



## *Specification Information*

**Warranty:** If any product or part proves to be defective within 12 months from date of shipment from the factory it will be repaired or replaced without any charge including freight costs when authorized. Costs resulting from the installation or removal of defective products are not covered under this warranty. Discolouration to stainless steel parts resulting from exposure to harsh environmental and / or chemicals are not considered to be defects in workmanship or material and are not covered under warranty.