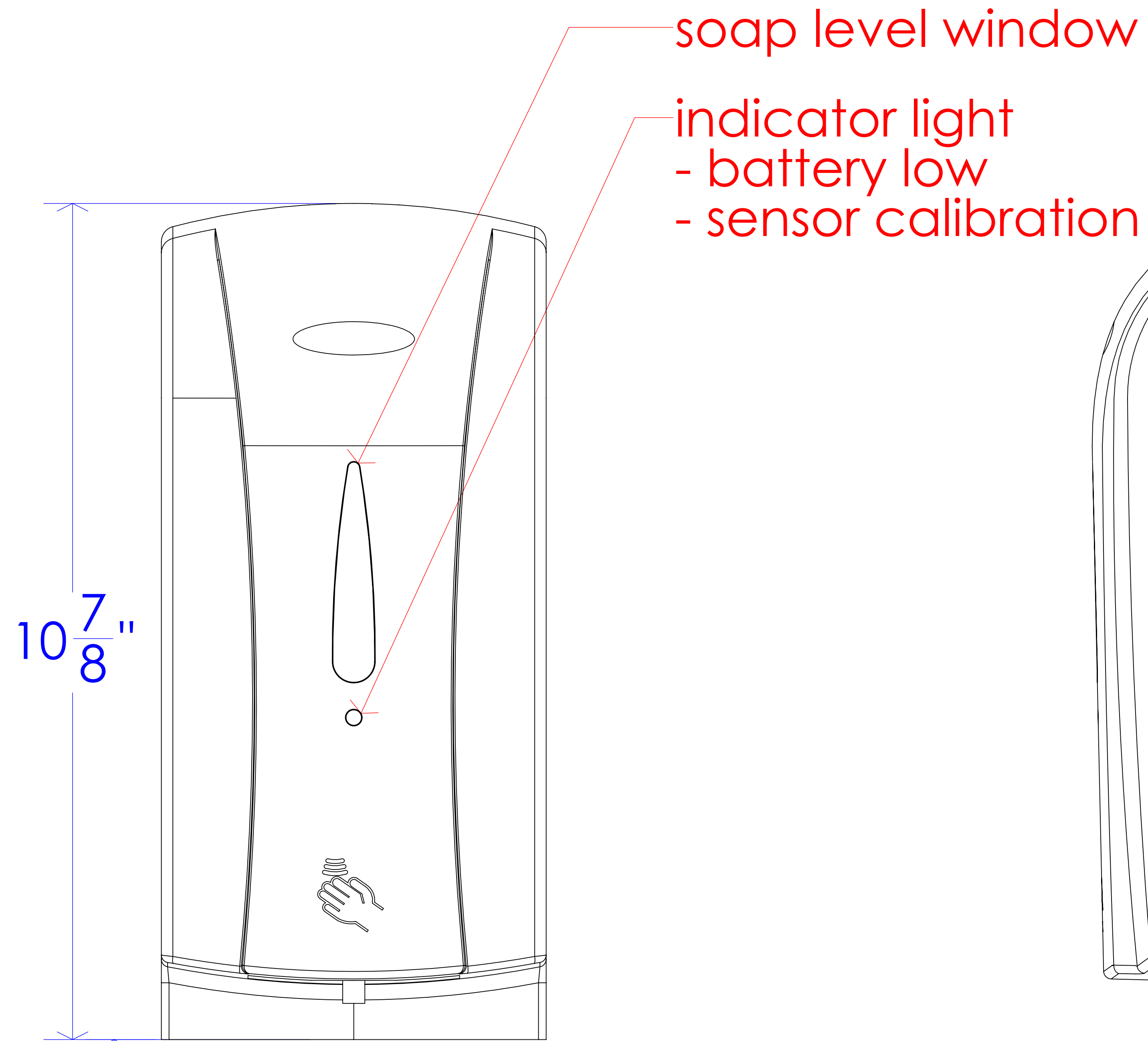
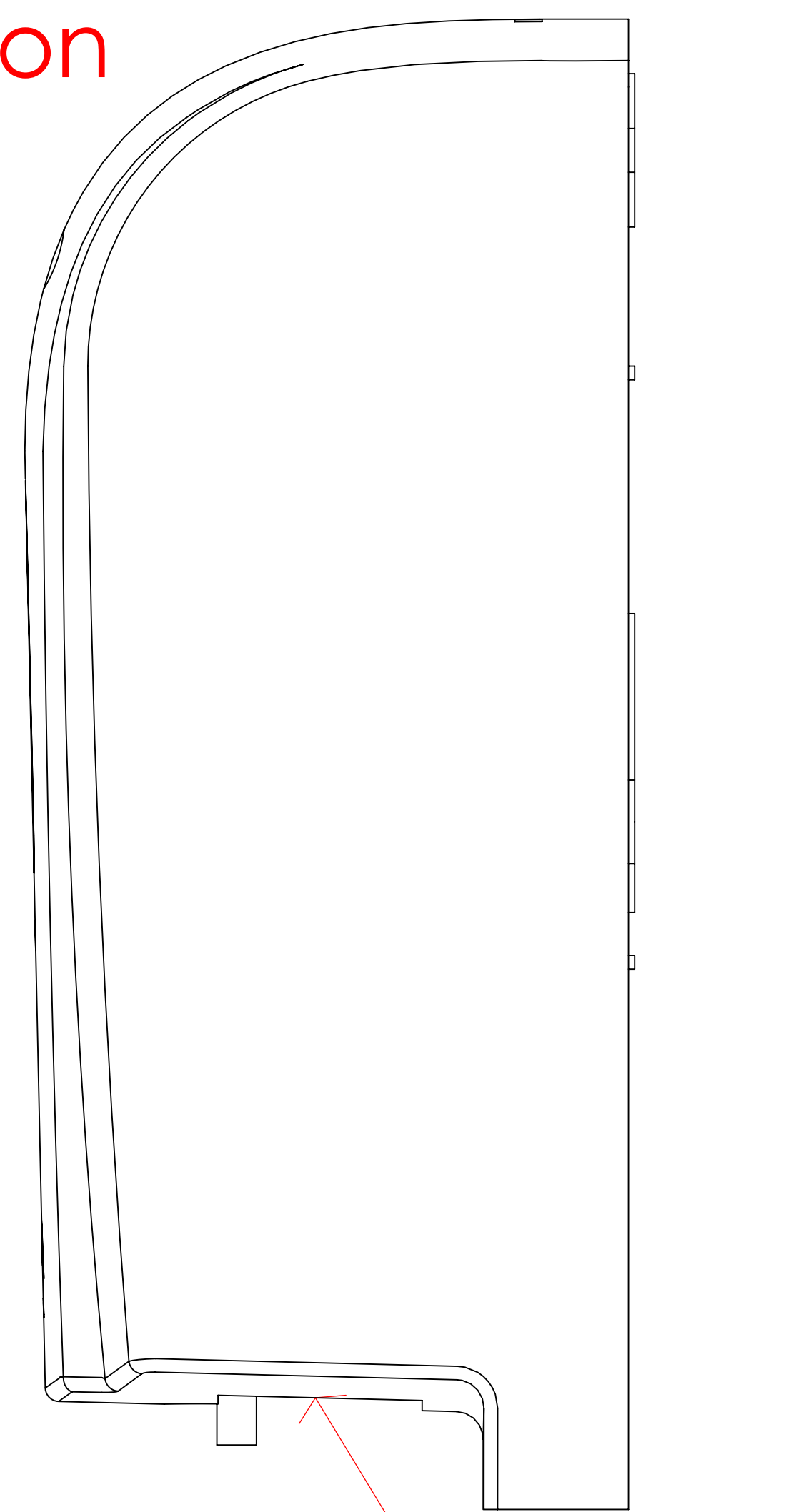


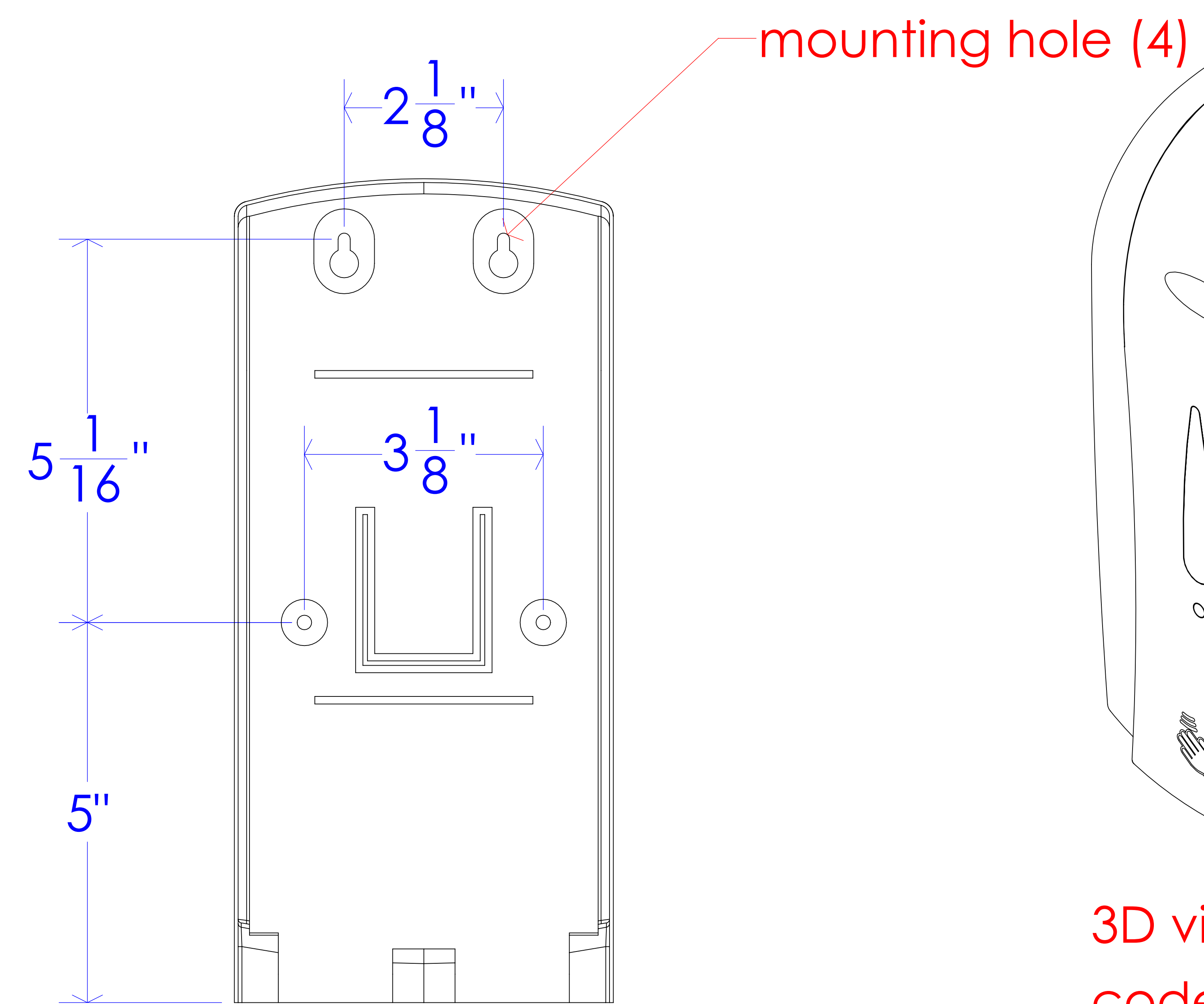
Top view



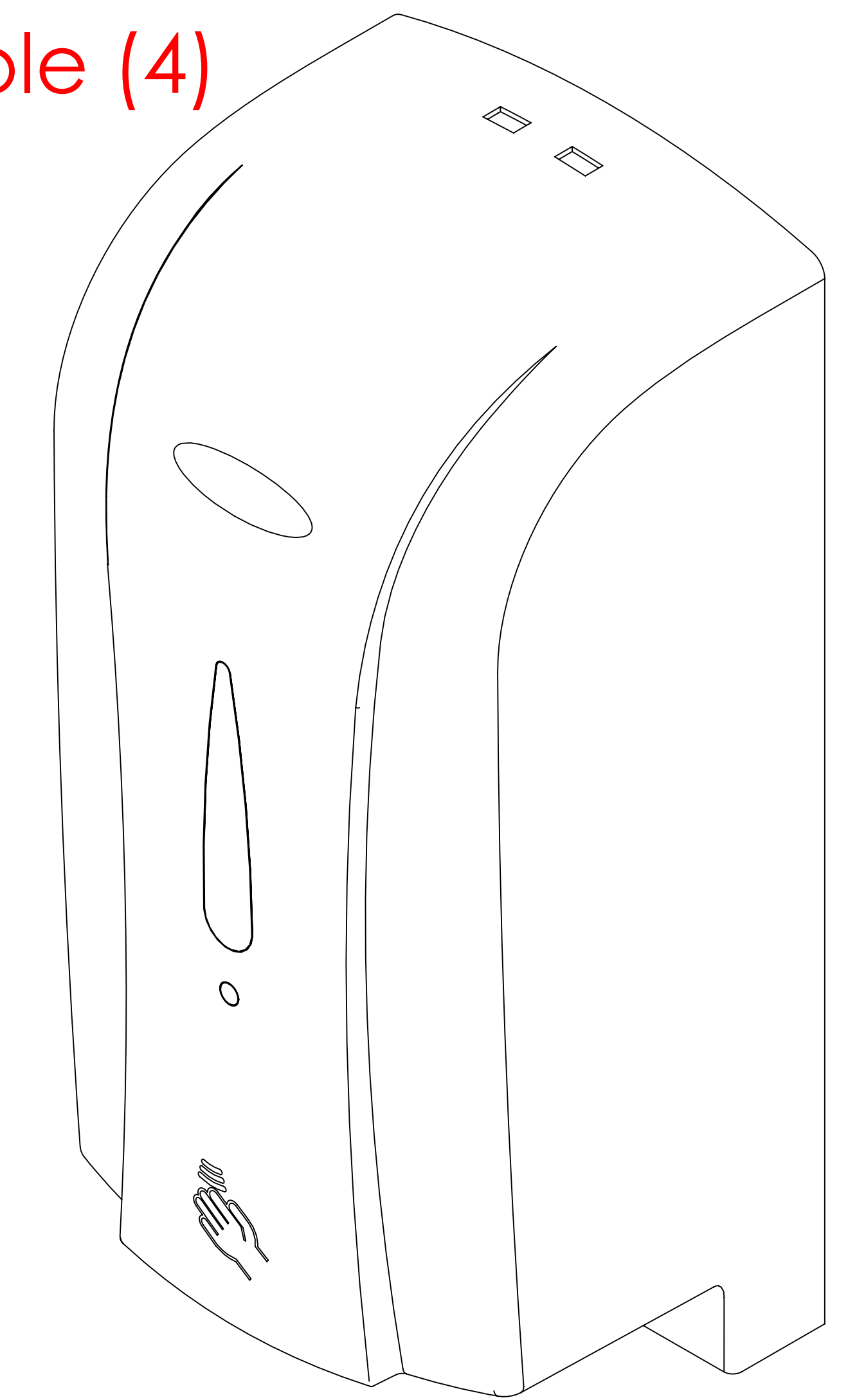
Front view



Side view



Back view



3D view
code 714-P

47" [1194] Max. for unrestricted access

Floor

*ensure unit is mounted 7 7/8" [200mm] above any horizontal surfaces and 11 13/16" [300mm] above any reflective surfaces

PROPRIETARY AND CONFIDENTIAL
THE INFORMATION CONTAINED IN THIS DRAWING IS THE SOLE PROPERTY OF
FROST PRODUCTS LTD. ANY REPRODUCTION IN PART OR AS A WHOLE WITHOUT
THE WRITTEN PERMISSION OF FROST PRODUCTS LTD. IS PROHIBITED.

FROST PRODUCTS LTD.
5280 JOHN LUCAS DRIVE, BURLINGTON, ON, L7L 5Z9

DATE: April 29, 2024

TITLE:
714-P

DWG NO.

714-P CAD

DO NOT SCALE DRAWING

UNLESS OTHERWISE SPECIFIED DIMENSIONS ARE IN INCHES.

SCALE: 1:1