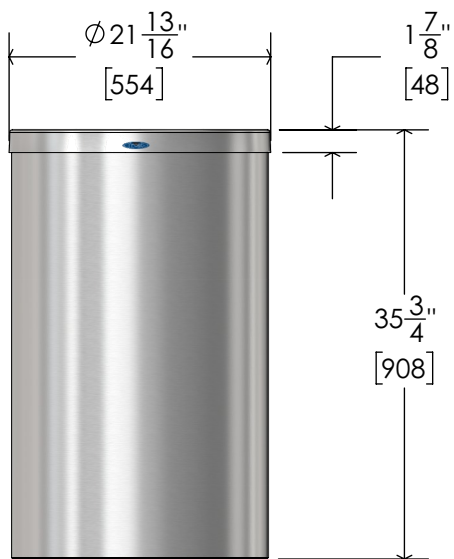


Section view
code 310-J



Front view



3D view
code 310-J