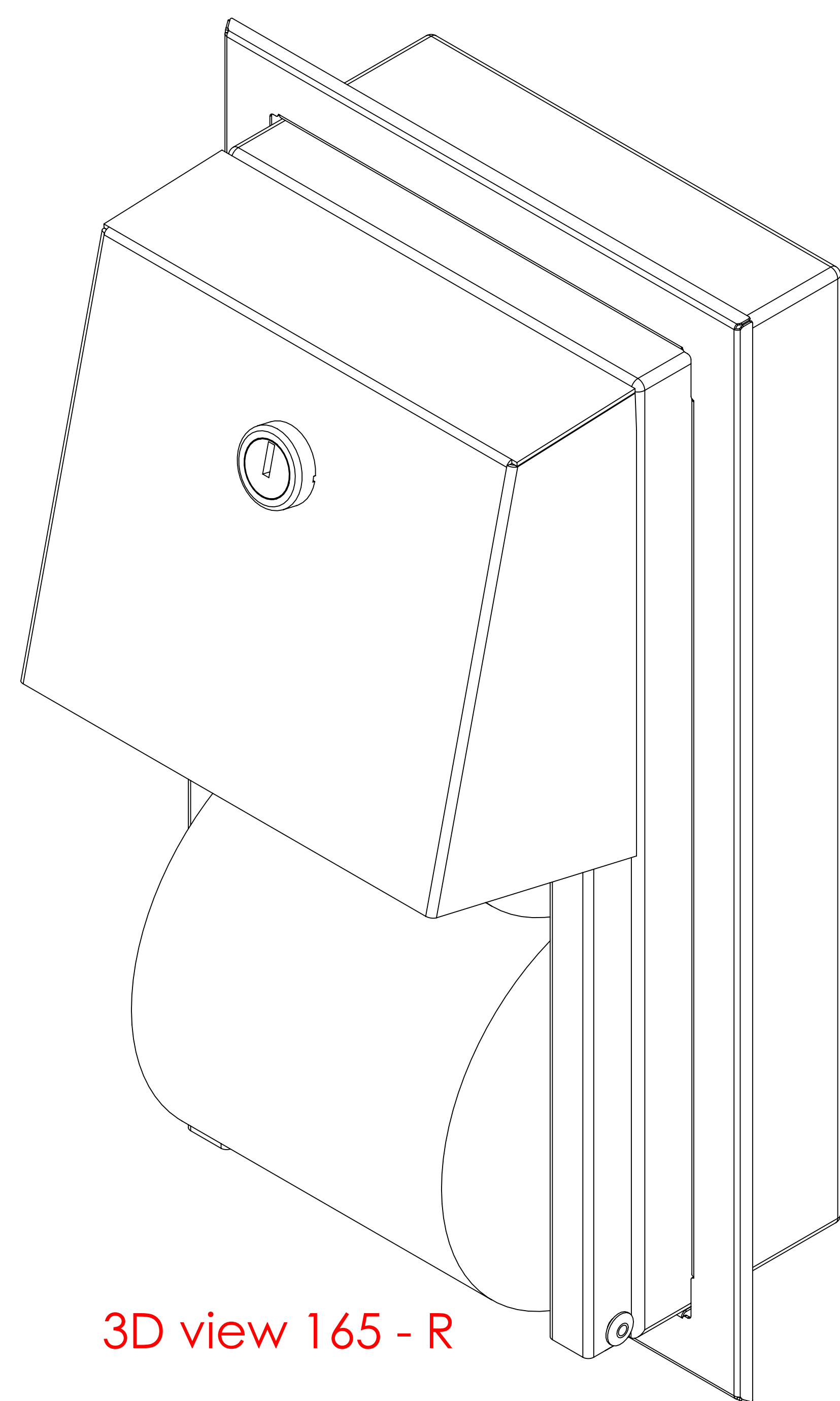
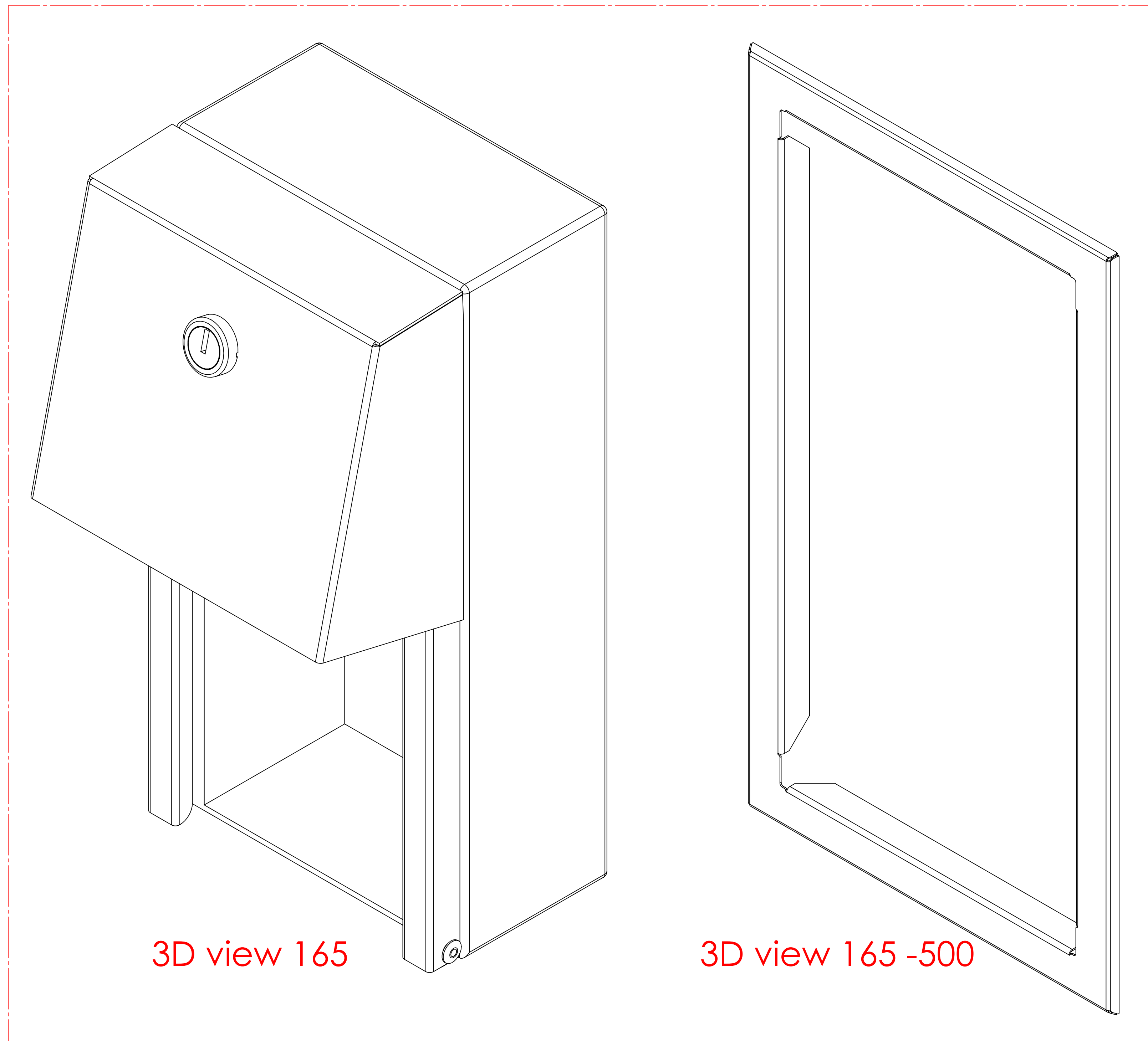


Top view



3D view 165 - R

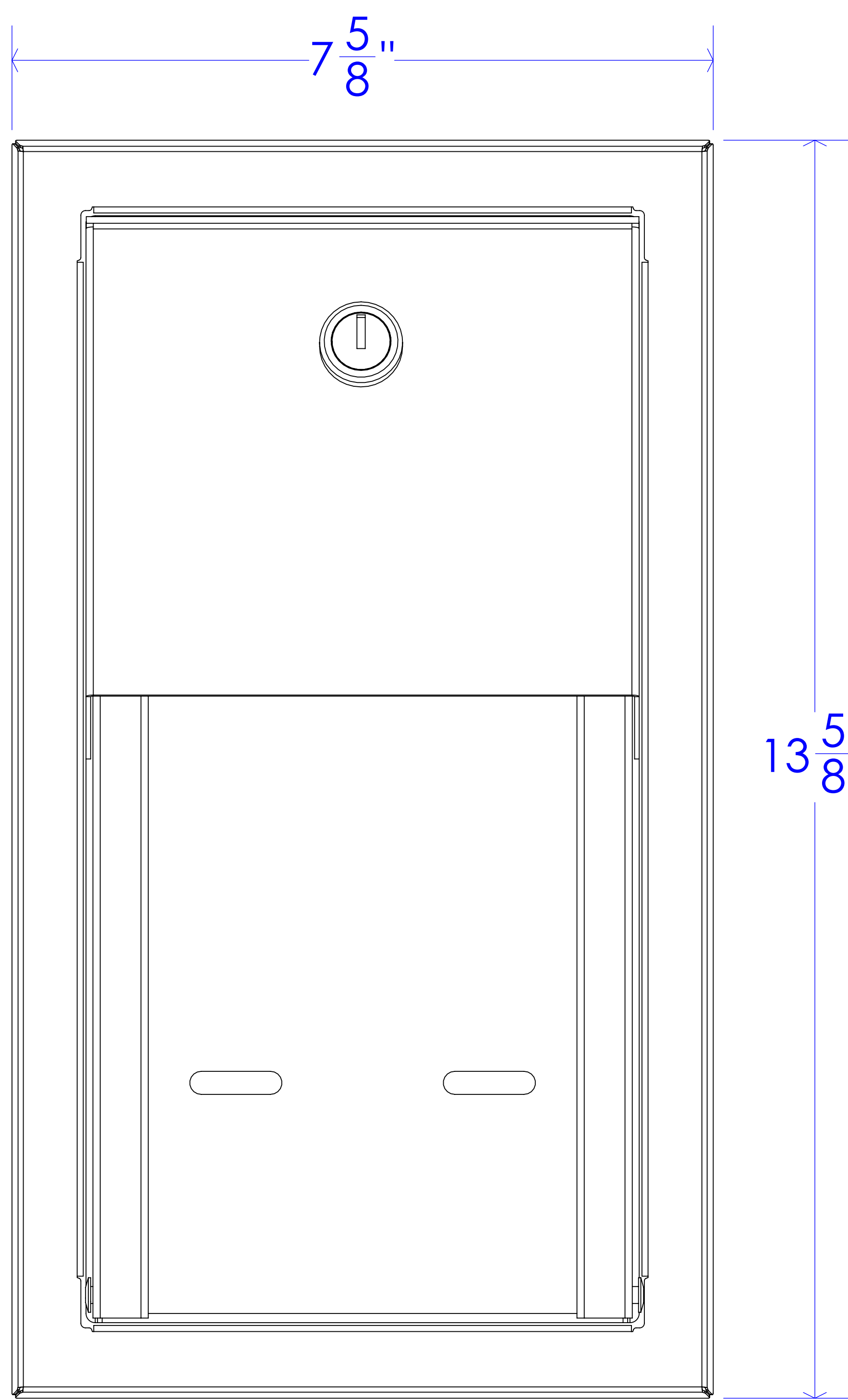


3D view 165

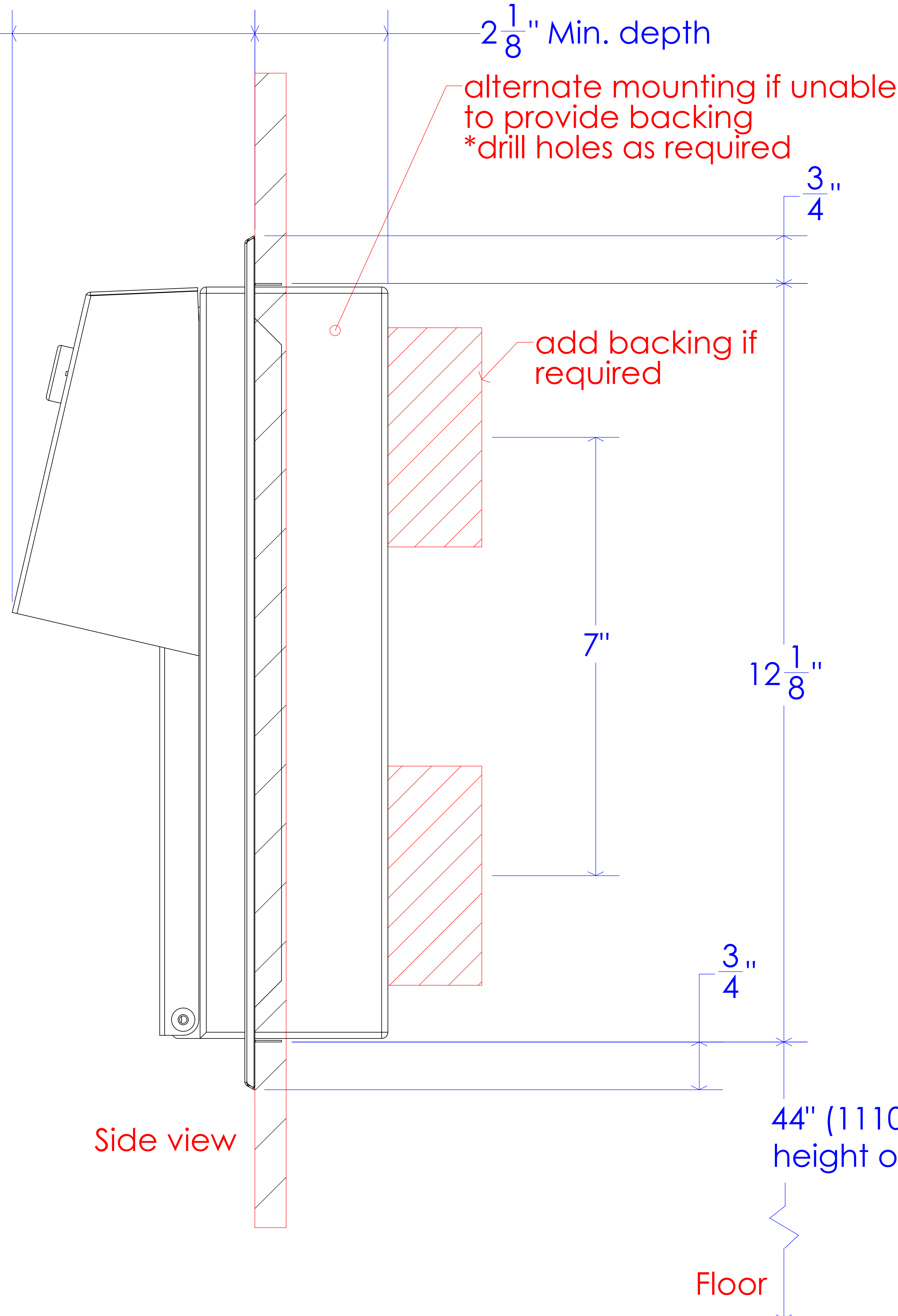
3D view 165 -500

$3\frac{7}{8}$ " *distance must not exceed 4" for ADA compliant installation

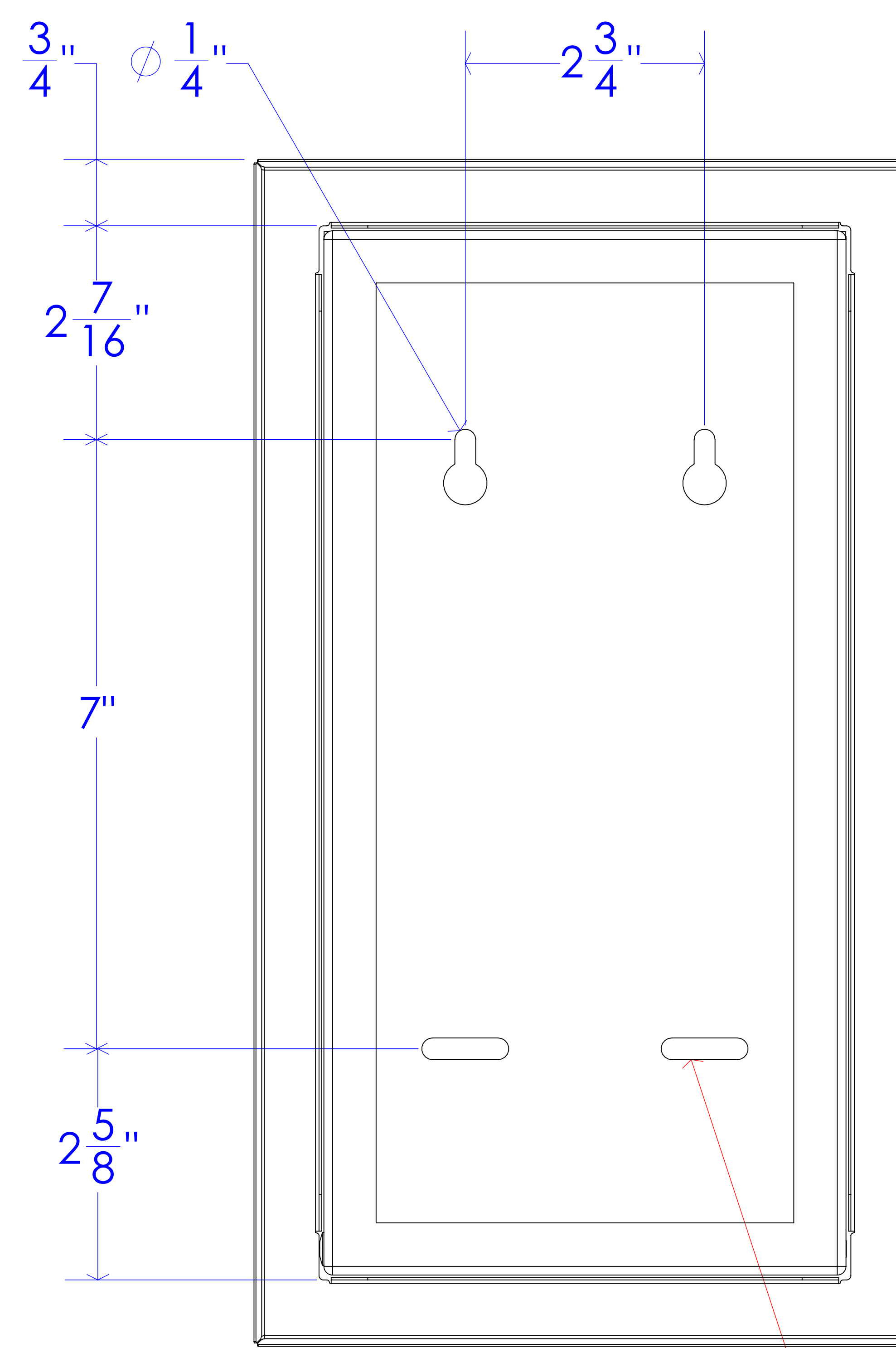
$2\frac{1}{8}$ " Min. depth



Front view



Side view



Back view

mounting hole (4)

44" (1110mm) Max. height of rough opening

PROPRIETARY AND CONFIDENTIAL
THE INFORMATION CONTAINED IN THIS DRAWING IS THE SOLE PROPERTY OF
FROST PRODUCTS LTD. ANY REPRODUCTION IN PART OR AS A WHOLE WITHOUT
THE WRITTEN PERMISSION OF FROST PRODUCTS LTD. IS PROHIBITED.

FROST PRODUCTS LTD.
5280 JOHN LUCAS DRIVE, BURLINGTON, ON, L7L 5Z9

DATE: June 9, 2021	TITLE:	165-R	DWG NO.
DO NOT SCALE DRAWING			165-R CAD
UNLESS OTHERWISE SPECIFIED DIMENSIONS ARE IN INCHES.			SCALE: 1:1