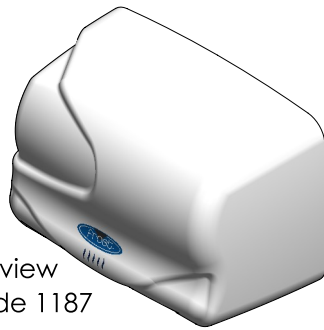
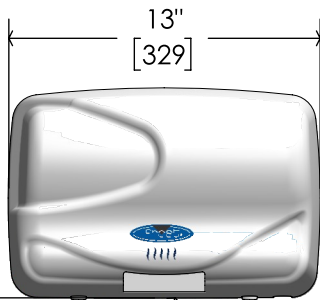




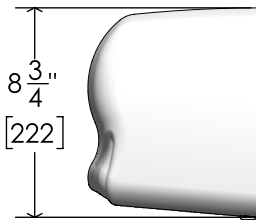
Top view



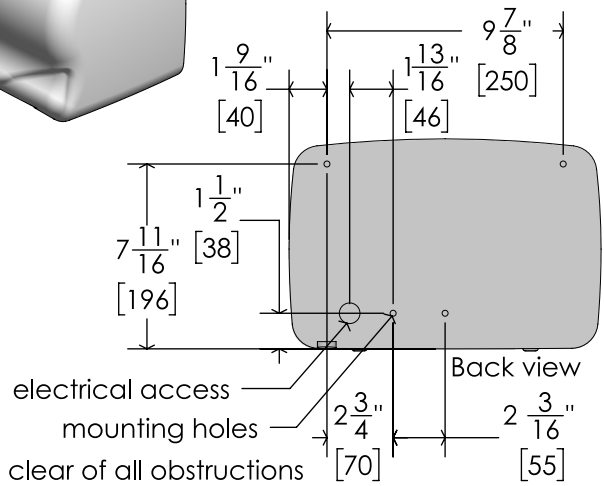
3D view
code 1187



Front view



Side view



tamper resistant cover screw (2)

12" (30 cm) below sensor area must be clear of all obstructions



48" [1220] Max height above floor for barrier free access

Floor