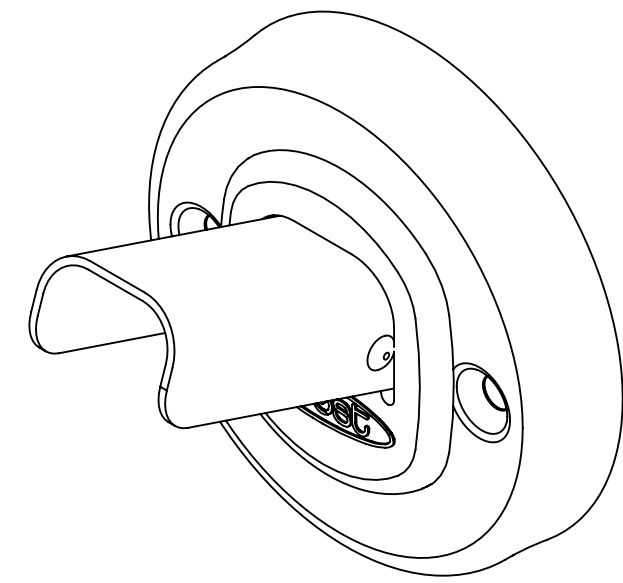
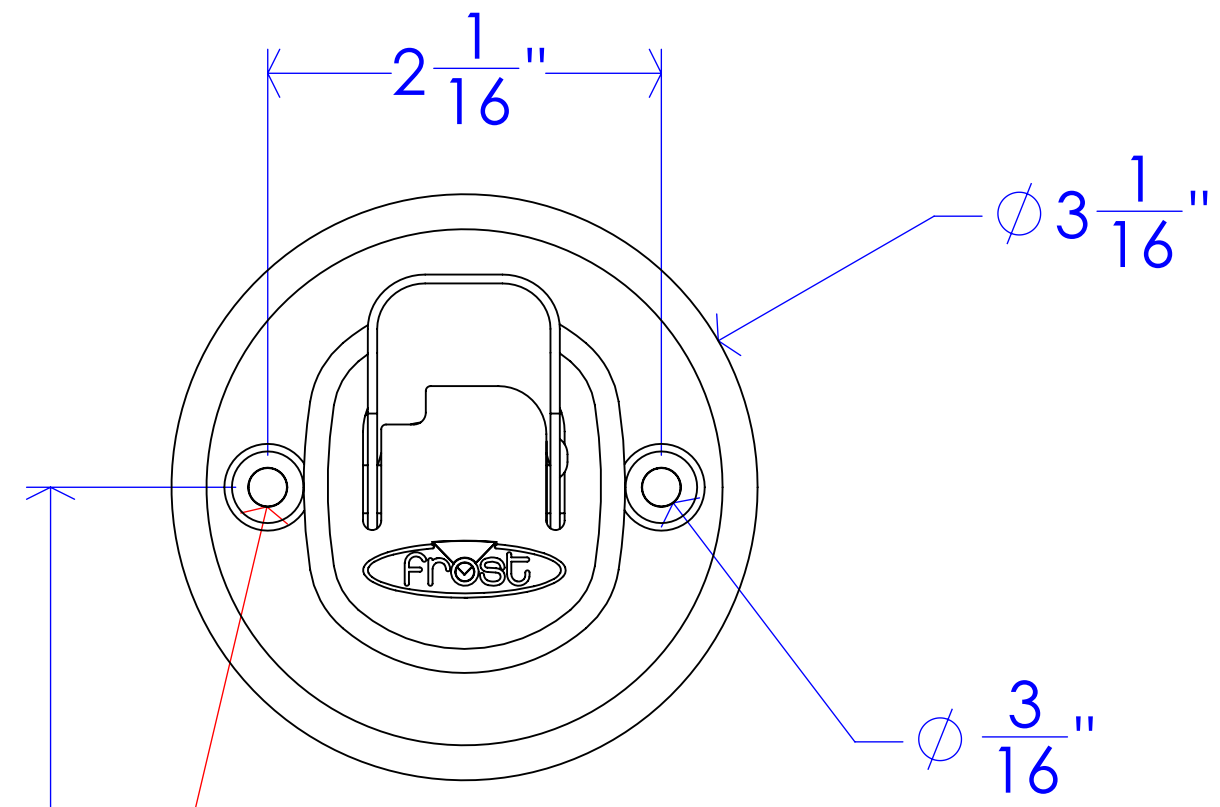


Top view

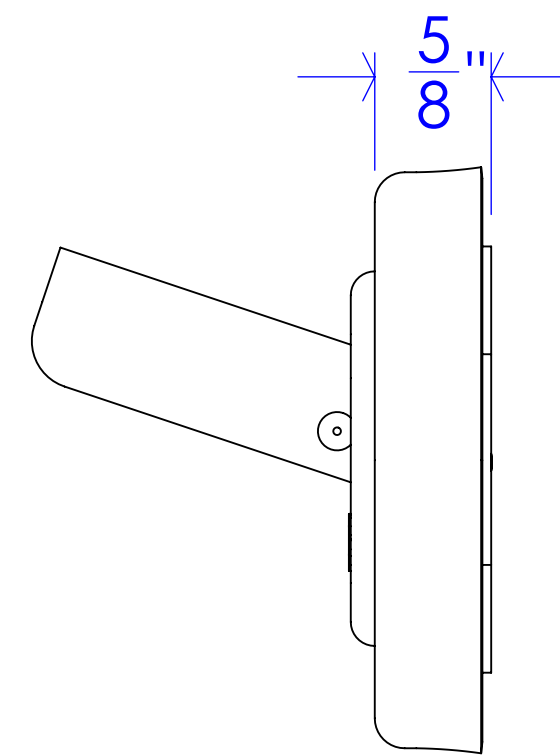


3D view - 1150

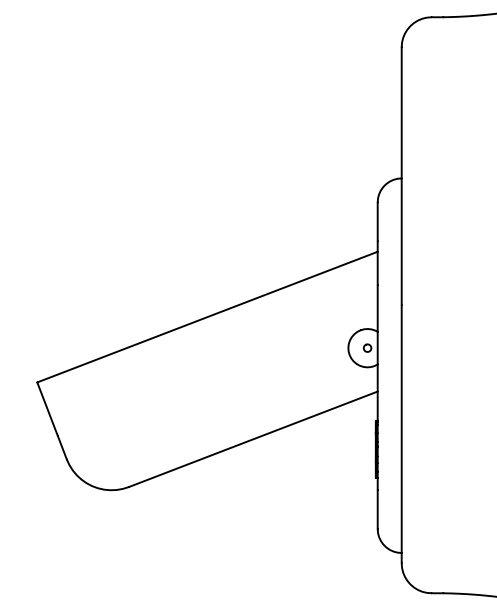


Front view

mounting hole (2)



Side view



Side view  
-with load greater than 11 Kg (25 lbs)

48" (1220mm) Max. height above floor to center of hook for unrestricted access  
Floor

PROPRIETARY AND CONFIDENTIAL  
THE INFORMATION CONTAINED IN THIS DRAWING IS THE SOLE PROPERTY OF  
FROST PRODUCTS LTD. ANY REPRODUCTION IN PART OR AS A WHOLE WITHOUT  
THE WRITTEN PERMISSION OF FROST PRODUCTS LTD. IS PROHIBITED.

FROST PRODUCTS LTD.  
5280 JOHN LUCAS DRIVE, BURLINGTON, ON, L7L 5Z9

DATE: June 8, 2021

TITLE:

DWG NO.

DO NOT SCALE DRAWING

1150 Safety Coat Hook

1150 CAD

UNLESS OTHERWISE SPECIFIED DIMENSIONS ARE IN INCHES.

SCALE: 1:1